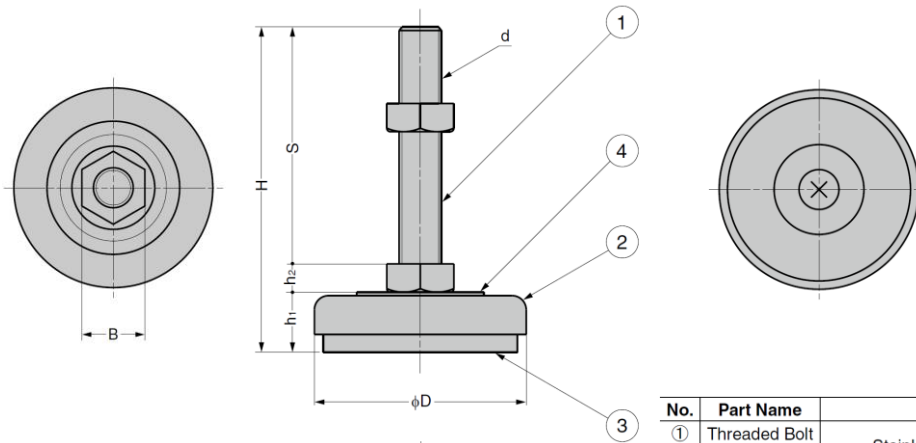
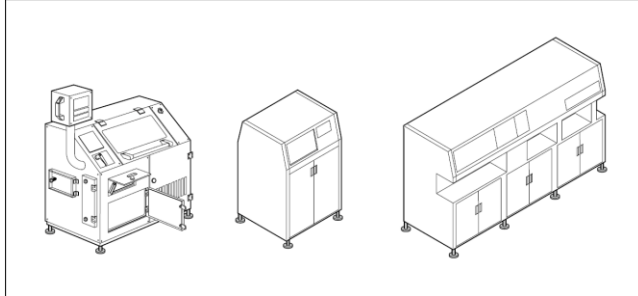


GADWS / WHS Stainless Steel Levelling Glide

Features

- Cross-recessed bottom allows easy installation with impact wrench
- **GADWS**: Excellent weather resistance
- **GADWHS**: Excellent heat / weather resistance with non-stain transfer base



No.	Part Name	Material	Finish/Colour
①	Threaded Bolt	Stainless Steel (SUS304)	Polished
②	Cover		
③	Base	ADWS/CR	Black
		ADWHS/EPDM	White
④	Washer	PA	-

Part No.	Base Material	d	D	H	h ₁	h ₂	S	B	Load Capacity (per piece)		
GADWS40-8-60	CR	M8	40	78.5	13	5.5	60	13	3,724 N	380 kg	
GADWS40-10-50		M10		70		7	50	17	6,272 N	640 kg	
GADWS50-12-70		M12	50	93	15	8	70	19	8,722 N	890 kg	
GADWS50-12-120				143			120		7,644 N	780 kg	
GADWS60-16-70		M16	60	97	17	10	70	24	14,308 N	1,460 kg	
GADWS60-16-100				127			100		14,210 N	1,450 kg	
GADWS60-20-100				M20			130	13	30	17,150 N	1,750 kg
GADWS60-20-130							160			130	15,876 N
GADWHS40-8-60	EPDM	M8	40	78.5	13	5.5	60	13	4,214 N	430 kg	
GADWHS40-10-50		M10		70		7	50	17	5,978 N	610 kg	
GADWHS50-12-70		M12	50	93	15	8	70	19	8,330 N	850 kg	
GADWHS60-16-100				M16			60		127	10	100
GADWHS60-16-130		157	130		11,760 N	1,200 kg					